

Model Code

• Sensor

LS- C /CEM

Stroke	Thread of extension rod		CE marking
050	50mm	M	M5×0.8
100	100mm	U	10-32UNF
150	150mm		
200	200mm		
250	250mm		
300	300mm		
350	350mm		
400	400mm		
450	450mm		

• Transmission cable

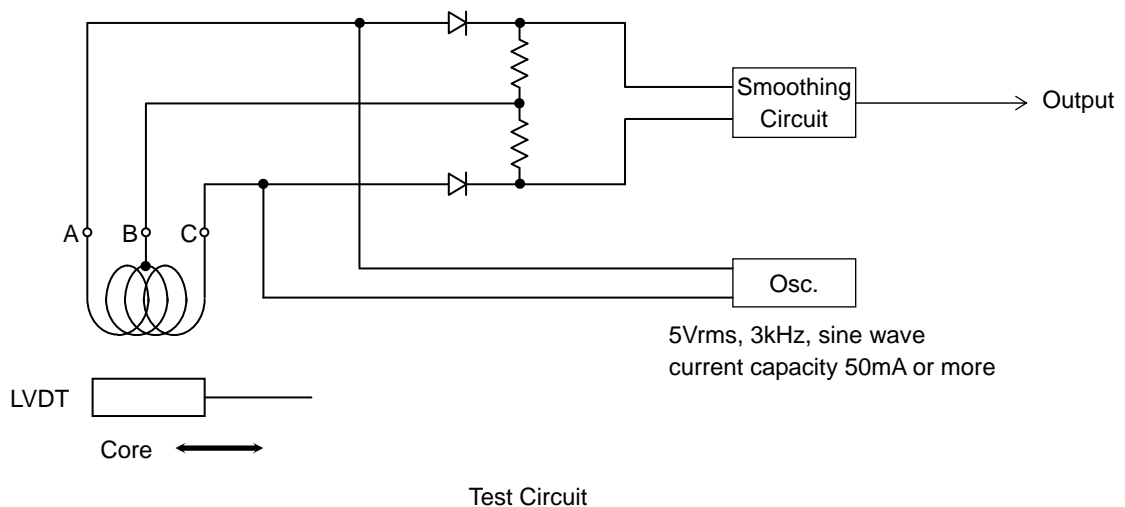
LW- - -

Cable length(L)												Temperature range of cable		Connector type		Armor	
005	5m	055	55m	105	105m	155	155m	205	205m	255	255m	A	-40 to +80°C	R	Angle type	0	Without
010	10m	060	60m	110	110m	160	160m	210	210m	260	260m	B	-40 to +125°C	S	Straight type	1	With
015	15m	065	65m	115	115m	165	165m	215	215m	265	265m						
020	20m	070	70m	120	120m	170	170m	220	220m	270	270m						
025	25m	075	75m	125	125m	175	175m	225	225m	275	275m						
030	30m	080	80m	130	130m	180	180m	230	230m	280	280m						
035	35m	085	85m	135	135m	185	185m	235	235m	285	285m						
040	40m	090	90m	140	140m	190	190m	240	240m	290	290m						
045	45m	095	95m	145	145m	195	195m	245	245m	295	295m						
050	50m	100	100m	150	150m	200	200m	250	250m	300	300m						
Max. length				LW- <input type="text"/> <input type="text"/> <input type="text"/> A- <input type="text"/> -0 : 300m													
				LW- <input type="text"/> <input type="text"/> <input type="text"/> B- <input type="text"/> -0 : 150m													
				LW- <input type="text"/> <input type="text"/> <input type="text"/> - <input type="text"/> -1 : 15m													

Standard

SPECIFICATIONS

Stroke	50, 100, 150, 200, 250, 300, 350, 400, 450mm
Output voltage	Approx. (-0.8 to +0.8V)/full stroke to approx. (-1.3 to +1.3V)/full stroke at relay signal 5Vrms (measured with the test circuit)
Excitation	3kHz, 5 to 20Vrms
Coil Impedance	600Ω±100Ω (3kHz)
Linearity	±0.2% of 100% stroke, ±1.5% of 110% stroke (measured with the test circuit)
Operating temperature	-40 to +125°C (-40 to +257°F REF.)
Operating humidity range	95% RH or less (noncondensing, non-submerged)
Temperature drift	±0.03% of F.S./°C or less
Insulation Resistance	More than 10MΩ at 500VDC (between each pins and body)
Dielectric Strength	1mA or less at 500VAC for one minute (between each pins and body)
Shock Vibration	490m/s ² (50g REF.) at 2kHz
Standard Cable	3-cond.shielded cable with mating connector (5m, 0.75mm ² (AWG No.20)) <ul style="list-style-type: none"> • LW-□□□A-S-0(-40 to +80°C, straight type connector, without armor) • LW-□□□A-S-1(-40 to +80°C, straight type connector, with armor) • LW-□□□A-R-0(-40 to +80°C, angle type connector, without armor) • LW-□□□A-R-1(-40 to +80°C, angle type connector, with armor) • LW-□□□B-S-0(-40 to +125°C, straight type connector, without armor) • LW-□□□B-S-1(-40 to +25°C, straight type connector, with armor) • LW-□□□B-R-0(-40 to +125°C, angle type connector, without armor) • LW-□□□B-R-1(-40 to +125°C, angle type connector, with armor)
Connected equipment	VM-11P, VM-21P



LS SERIES
LVDT
SPECIFICATIONS

LS-T LINEAR VARIABLE DIFFERENTIAL TRANSFORMER
(LVDT)

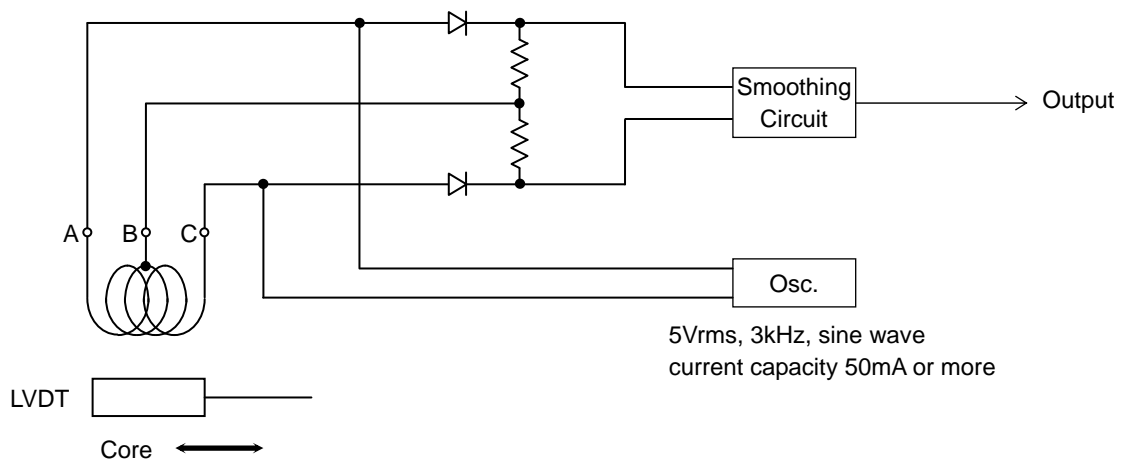
Model Code / Additional Spec. Code (No entry if additional spec. code is not specified.)

LS- T /DF /CEM

Stroke	Thread of extension rod	Additional spec.	CE marking
050 50mm	M M5x0.8	1 Hydrogen sulfide spec.	
100 100mm	U 10-32UNF		
150 150mm			
200 200mm			
250 250mm			
300 300mm			
350 350mm			
400 400mm			
450 450mm			

SPECIFICATIONS

Stroke	50, 100, 150, 200, 250, 300, 350, 400, 450mm
Output voltage	Approx. (-0.8 to +0.8V)/full stroke to approx. (-1.3 to +1.3V)/full stroke at relay signal 5Vrms (measured with the test circuit)
Excitation	3kHz, 5 to 20Vrms
Coil Impedance	600Ω±100Ω(3kHz)
Linearity	±0.2% of 100% stroke, ±1.5% of 110% stroke (measured with the test circuit)
Operating Temperature	-40 to +150°C (-40 to +302°F REF.)
Operating humidity range	95% RH or less (noncondensing, non-submerged)
Temperature drift	±0.03% of F.S./°C or less
Insulation Resistance	More than 10MΩ at 500VDC (between each terminal and body)
Dielectric Strength	1mA or less at 500VAC for one minute (Between each terminal and body)
Shock Vibration	490m/s ² (50g REF.) at 2kHz
Screws of terminal block	M4
Applicable wire gauge	0.75 to 2mm ²
Connected equipment	VM-11P, VM-21P



Test Circuit